



APOLLO

T6000 Mist Applicator



INSTRUCTION MANUAL

DO NOT USE THE MIST APPLICATOR BEFORE READING THIS MANUAL

This manual contains important warnings and instructions.
Please read these instructions carefully and keep for your reference.

©2012 (Apollo Sprayers International, Inc.)

Table of Contents

1 General Safety Information:	3
2 Prepare the T6000 Mist Applicator:	5
3 T6000 Mist Applicator Diagram:	6
4 Adjusting your Mist Applicator:	7
5 Spraying/Misting:	8
6 Maintenance:	9
7 Troubleshooting:	10
8 Warranty and Technical Support:	11

T6000 Mist Applicator® Instruction Manual

Congratulations on purchasing the T6000 Mist Applicator® for UV Sunless spray tanning. This product has been specially designed to provide an efficient application of tanning solution products.

Take a minute to read and understand how to operate your new T6000 Mist Applicator™ and you will be able to provide the perfect tan with every application.

Your T6000 is packaged with the following:

1. T6000 Mist Applicator
2. Instruction Manual
3. Parts Kit

1 General Safety Information:

Read all instructions and safety precautions before operating the unit.



THIS INDICATES A CONDITION THAT WILL CAUSE SERIOUS INJURY OR LOSS OF LIFE IF THE WARNING IS IGNORED.



THIS INDICATES A CONDITION THAT COULD CAUSE SERIOUS INJURY OR LOSS OF LIFE IF THE WARNING IS IGNORED.



THIS INDICATES A CONDITION THAT MAY CAUSE MINOR INJURY AND/OR EQUIPMENT/PROPERTY DAMAGE.



- Risk of fire or explosion! Solvent and paint fumes can explode or ignite, causing severe injury and property damage.
- Paints and solvents containing HALOGENATED HYDROCARBONS can react explosively with aluminum. Always check the product's label before using these materials in the unit.
- Hazardous vapors: Paint, solvents, insecticides and other materials may be harmful if inhaled, causing severe nausea, fainting or poisoning.
- Make sure the room is well ventilated. Avoid all ignition sources, such as static electricity sparks, open flames, hot objects, sparks from connecting and disconnecting power cords, and working light switches.
- Follow the material and solvent manufacturers' safety precautions and warnings. Do not use liquids with flash points less than 100 degrees Fahrenheit (38 degrees Celsius).
- Static electricity can be produced by HVLP spraying. Make sure any electrically conductive object being sprayed is grounded to prevent static sparking. The sprayer is grounded to prevent static sparking. The spray grounded through the electrical cord. If an extension cord is necessary, the cord must be a grounded with three wires made for the appropriate voltage used.
- Use a respirator or mask whenever there is a chance that vapors may be inhaled. Read all instructions with the mask to ensure that the mask will provide the necessary protection against the inhalation of harmful vapors.
- Do not carry the turbine while spraying.
- Keep the turbine at the maximum distance from the spraying area.



1 General Safety Information cont'd.:

CAUTION

- Tipping the Mist applicator causes the Mist applicator to clog. Dried spray material also clogs the pressure delivery tube and fittings. The Mist applicator does not function when clogging occurs.
- When not in use, be sure to disconnect the hose and place the Mist applicator into the holder in the turbine to avoid tipping.

GROUNDING INSTRUCTIONS

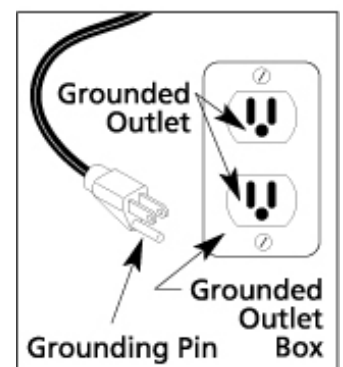
This product must be properly grounded. In the event of an electrical short circuit, grounding reduces the risk of electrical shock by providing an alternate path for the electrical current.

This product is equipped with a cord that has a ground wire and an appropriate ground plug. Plug the unit into an outlet that is properly installed and grounded in accordance with local codes and ordinances.

DANGER

IMPROPER INSTALLATION OF THE GROUND PLUG CAN RESULT IN THE RISK OF ELECTRICAL SHOCK. IF REPAIR OR REPLACEMENT OF THE PLUG OR CORD IS NECESSARY, DO NOT CONNECT THE GROUND WIRE TO EITHER FLAT BLADE TERMINAL. THE WIRE WITH GREEN INSULATION (WITH OR WITHOUT A YELLOW STRIPE) IS THE GROUNDING WIRE.

1. For any question regarding proper installation of the ground plug, consult a qualified (licensed or certified) electrician.
2. Do not modify the plug provided. If the plug does not fit the outlet, have the proper outlet installed by a qualified electrician.
3. This product is for use on a nominal 120-volt circuit and has a grounding plug that looks like the plug in Figure 2. Make sure that the product is connected to an outlet having the same configuration as the plug. No adapters should be used with this product.
4. If an extension cord is required, use only a three wire extension cord that has the same configuration as the unit cord, including the (round) ground terminal. Make sure that the extension cord is plugged into a properly grounded receptacle.
5. When using an extension cord, be sure it is in good condition and heavy enough to meet the specifications in the chart below. If an extension cord is needed the following wire sizes must be used.
6. (See Chart 1) Figure 2



25' cord.....	10, 12, or 14 Gauge
50' cord.....	10 or 12 Gauge
100' cord.....	10 Gauge

Chart 1 Extension Cord Requirements

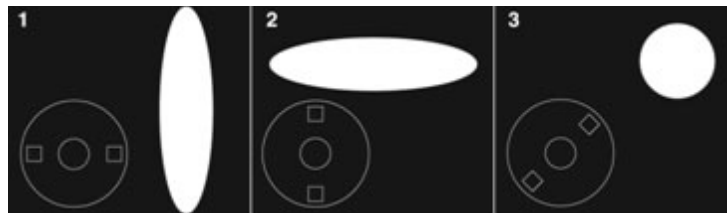
2 Prepare the T6000 Mist applicator

1. Follow the diagram to prepare the Mist applicator
 - a. Unscrew the plastic cup from the Mist applicator. Pour tanning solution into the cup. Do not fill more than $\frac{3}{4}$ full.



- b. Carefully screw the cup back onto the main body of the Mist applicator. Screw the cup on firmly but **DO NOT over tighten. Over tightening will cause the cup to “pop” and damage the threads. Leakage can then occur requiring replacement of the cup.**
- c. Locate the air cap (#2) on the T6000 diagram. Slightly turn the air cap ring (#1) anti or counter clockwise to loosen the air cap. Notice that you can now rotate the air cap freely.
- d. Look at Mist Applicator Patterns diagram below. Note the position of the air cap and the direction of the spray pattern. Pattern 1 is for spraying across from side to side. Pattern 2 is for spraying up and down. Pattern 3 will produce a spot or circle. Patterns 1 and 2 are the most common positions for applying tanning solutions.
- e. Turn the air cap (#2) to the position you want. Turn the air cap ring (#1) clockwise to lock the air cap in place.

MIST APPLICATOR



PATTERNS

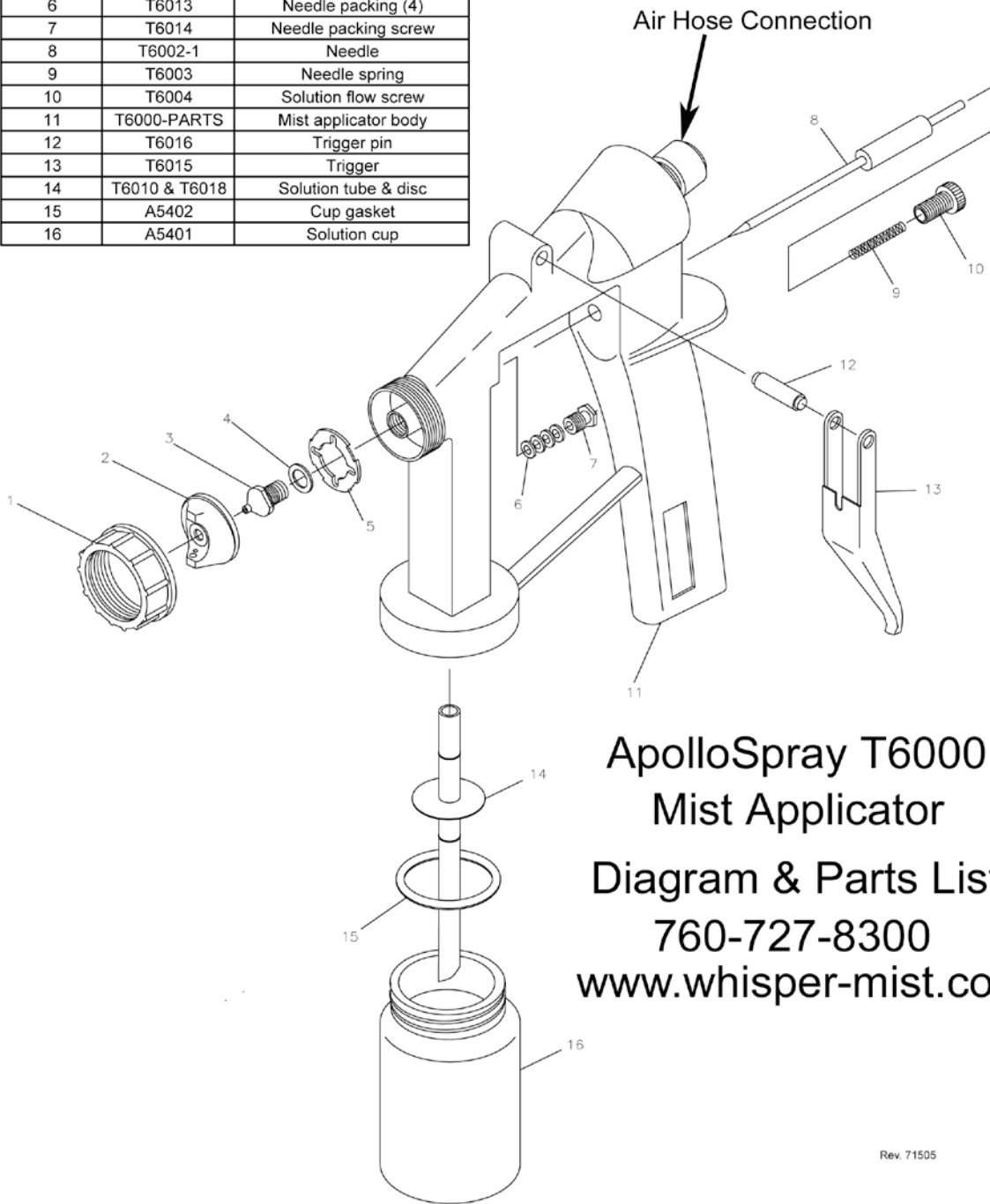
1. Misting across from side to side
2. Misting up and down.
3. Misting in a spot or circle

1. Next, position the T100 Turbo Unit as far away as practical and possible from the area where you will spray.
2. Attach the remaining end of the hose to the T6000 Mist applicator as follows:
 - a. Locate the coupler at the rear top of the T6000 Mist applicator. See T6000 diagram.
 - b. Pull back on the collar of the black connector on the air hose.
 - c. Push the connector over the coupler and release. Figure 7.
 - d. Your Mist applicator should now be firmly attached to the air hose.



3 T6000 Mist Applicator Diagram

Diagram #	Part #	Description
1	T6009	Air cap ring
2	T6008	Air cap
3	T6002-1	Nozzle
4	T6017	Nozzle gasket
5	T6006	Air distributor plate
6	T6013	Needle packing (4)
7	T6014	Needle packing screw
8	T6002-1	Needle
9	T6003	Needle spring
10	T6004	Solution flow screw
11	T6000-PARTS	Mist applicator body
12	T6016	Trigger pin
13	T6015	Trigger
14	T6010 & T6018	Solution tube & disc
15	A5402	Cup gasket
16	A5401	Solution cup



ApolloSpray T6000
Mist Applicator
Diagram & Parts List
760-727-8300
www.whisper-mist.com

Rev. 71505

4 Adjusting your Mist Applicator

- a. Locate the Solution Flow Screw (#10) on the T6000 diagram.
- b. Turning the Solution Flow Screw clockwise reduces and will eventually stop the flow of solution. DO NOT over-tighten the screw as this will cause damage to the end of the needle. Once the trigger cannot be pulled back there is no point in tightening the screw down more, this will only damage the end of the needle.
- c. Turning the Solution Flow Screw anti or counter clockwise will increase the flow of solution.
- d. In general, 1 ½ - 2 full turn from the fully closed position will provide a good solution flow. You may find that you want more or less solution. You can adjust the Solution Flow Screw to your desired setting.
NOTE: Opening the Solution Flow Screw more than 3 turns will not increase the solution flow and will in fact decrease the efficiency of your Mist applicator.
- e. In general, hold the T6000 Mist applicator 4" (10cm) from the person being sprayed. Moving the Mist applicator back will increase the size of the mist pattern. Moving the Mist applicator closer will decrease the size of the mist pattern. The further away you hold the Mist applicator, the more you will need to increase the solution flow thus causing abnormal amounts of airborne solution (overspray).
- f. Holding the Mist applicator closer to the person being sprayed along with a minimum flow of solution will provide the best results, no streaks or running solution and virtually no mist in the spray area.
- g. Be sure to move the Mist applicator at a slow, steady speed keeping the distance of the Mist applicator the same throughout the application. This will ensure perfect results. It is actually very easy. Practice a few times and you will be an expert.
- h. It is best to hold the Mist applicator in a vertical position when spraying. If you want to change the direction of the mist pattern, rotate the position of the air cap rather than turning the Mist applicator on its side.
- i. Always hold or store the Mist applicator in a vertical position. A slot in the T100 Turbo Unit is provided to hold and store the Mist applicator. It is a good habit to use it when you are not spraying.

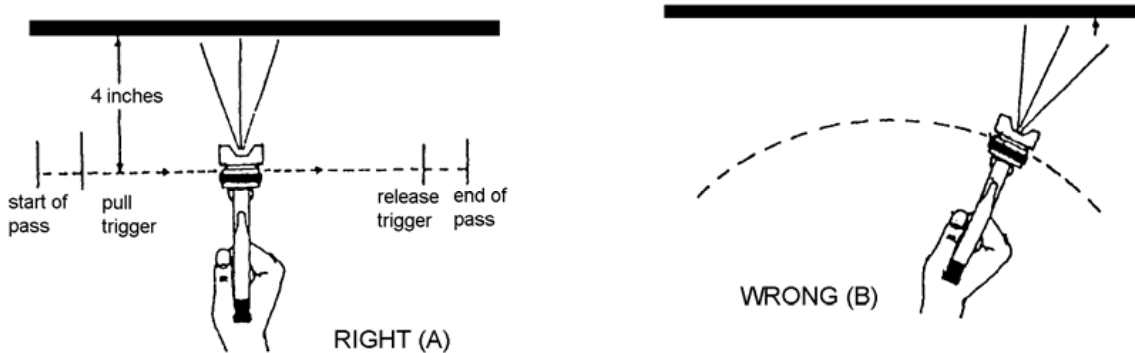


- j. Do not over-tighten the solution flow screw (#10) as this will damage the end of the needle point. Tighten the screw until the needle cannot be pulled back. Once this point is reached there is no point in turning the solution flow screw anymore as this will only cause damage to the needle point.

5 Spraying/Misting

1. You are now ready to begin misting.
2. The ON/OFF Switch is located under the carry handle of the T100 Turbo Unit. Turn it on. You will hear a sound similar to a vacuum cleaner. You may also notice that air is now blowing out of the front of the Mist applicator. This is correct. Air will continually flow from the air cap of the Mist applicator as long as The T100 Turbo Unit is running and the air hose is connected.
3. Open the Solution Flow Screw as described in item 4.
4. Set the mist pattern you wish to use by adjusting the air cap to the desired position. Refer to Mist Pattern Diagram.
5. Direct the Mist applicator to the area of the body that you want to start spraying.
6. Pull back on the trigger (#13) and move the Mist applicator as noted in the diagram below. Do not wave
 - a. the Mist applicator back and forth in front of your client by bending your wrist. Rather, keep your wrist straight and move your entire arm. Movement should be steady, even and deliberate, keeping your distance the same at all times.

PROPER MISTING TECHNIQUE



6 Mist Applicator Maintenance

1. It is VERY important to clean your Mist Applicator daily.
2. At the end of the day or when the equipment will not be used any more, disconnect the Mist Applicator from the air hose.
3. Carefully unscrew the cup. If there is remaining solution, either close the cup with a cup lid, or pour the remaining solution into a proper storage container.
4. Rinse the cup under warm running water until clean.
5. Fill the cup about $\frac{1}{4}$ full with water. Reconnect Mist Applicator to Air Hose. Turn on the T100 Turbo Unit. Direct the Mist Applicator to a safe area and spray the clean warm water through the Mist Applicator until the cup is empty.
6. Turn off the T100 TMTurbo Unit. Disconnect the Mist Applicator. Unscrew the cup.
7. Wipe all exposed areas dry.
8. Unscrew and remove the Air Cap Ring (#1). Rinse the threads under warm running water. Wipe the threads clean and dry. Add a small amount of Mist Applicator lube to the threads.
9. Remove the Air Cap (#2). Rinse under warm running water. Wipe, clean and dry.
10. Remove the Air Distributor Plate (#5). Rinse under warm running water. Wipe clean, dry and lubricate with Mist Applicator lube.
11. Reinstall the three pieces you just removed by reversing the removal procedure. Your Mist Applicator should be ready for the next use. Store the Mist Applicator TM in the holder on the T100 Turbo Unit.
12. The Solution nozzle (#3) can be removed for additional cleaning if necessary. We suggest doing this at least once a week or more if you are using the Mist Applicator Daily. Be careful. There is a Solution nozzle gasket (#4) around the threads of the Solution nozzle. Be sure to reinstall or leakage will occur. Removal of the Solution nozzle is not necessary on a daily basis. You should however remove it once a week and rinse under running water. The Solution nozzle can be easily removed with an adjustable wrench or spanner. Place the tip of your adjustable wrench or spanner on the two flat areas of the nozzle and twist anti or counter clockwise.
13. The Solution needle (#10) can also be removed for additional maintenance. To remove: Turn the Solution Flow Screw anti or counter clockwise until it comes out of the Mist Applicator. Be careful when removing the Solution Flow Screw as there is a small spring (#9) around the needle. Do not lose it. This is important to the operation of the Mist Applicator. Set the spring aside and pull the trigger all the way back until you can grab the needle with your finger tips and pull it out from the back of the Mist Applicator. Once removed, rinse under warm running water, Clean and dry. Reinstall reversing the removal procedure. NOTE: Occasionally it is necessary to lubricate the needle (#10) where it slides through the gland nut (#7). Simply rub a few drops of Mist Applicator lube around the needle shaft and reinsert into the back of the Mist Applicator.

- a. T100 Turbo unit turned ON. Air blows out of T6000 Mist applicator?
- b. This is correct. Air blows constantly when Turbo unit is ON.
- c. T100 Turbo unit turned ON. Unit does not operate or blow air?
- d. Check that the unit is plugged in to proper electric source. Be sure there is power at the electric source.
- e. If there is no problem with electric supply, call for technical support.
- f. T100 Turbo unit is turned ON, the trigger is pulled back on Mist applicator, but no solution comes out?
- g. Check that the cup is screwed firmly to Mist applicator.
- h. Check that there is no solution bubbling or leaking around the cup.
- i. Turn T100 Turbo unit OFF. Unscrew cup. Be sure that Solution Tube and Disc (#14) is connected and has not come loose. Locate the two small holes in the Disc around the Solution tube. Be sure that these two small holes are not clogged with dried solution. To clean, carefully insert a pin through each hole ensuring that they are clear.
- j. Turn T100 Turbo unit OFF. Remove air cap ring, Remove air cap, Remove Air Distributor Plate. Remove Solution nozzle (#3) with an adjustable wrench or spanner. There is a Solution nozzle gasket (#4) on the Solution nozzle. Do not lose it. Rinse Solution Nozzle under running water and check for dried solution that may have blocked the hole. Reinstall Solution Nozzle Gasket. Reinstall Solution Nozzle, Air distributor plate, air cap and air cap ring. Try spraying again. If you still have a problem call for technical support.
- k. Solution leaks in front of trigger.
- l. With an adjustable wrench or spanner tighten Solution Needle Packing Screw (#7). Do not over tighten. This can cause Solution needle to stick and not spring back. Try spraying again. If leaking continues the Solution Needle Packing needs to be replaced. (Rare). Remove Solution Needle Packing Screw (#7). Pry out the Solution Needle Packing's (4). Replace. Reinstall Solution Needle Packing Screw. Tighten all the way, and then back off slightly. (1/8 turn) Test mist applicator for leakage. If you still have a problem call for technical support.
- m. When T100 Turbo unit is ON, Solution continues to spray from Mist applicator without trigger being pulled.
- n. Immediately turn T100 Turbo unit OFF.
- o. Disconnect mist applicator from air hose.
- p. Slightly adjust (loosen) Solution Needle Packing Screw (#7). Test to see if problem is resolved.
- q. Check to see that Needle Spring is installed. (#9). Remove Solution Flow Screw (#10). Look for Needle Spring around the back of the Solution Needle. (See diagram). If lost, call for replacement.
- r. Check Solution nozzle. Remove and clean following directions 9.c.iv. above.
- s. Solution leaks around the top of the cup.
- t. Make sure the cup is screwed firmly to the body of the Mist applicator.
- u. Make sure the threads around the cup are clean and the threads inside the cup top assembly are clean.
- v. Replace the cup top gasket. Pry out old gasket. Install new gasket. Test mist applicator.

8 Warranty and Technical Support

For all other technical questions please call your local distributor or Apollo Sprayers Inc. for technical support.

Technical Support: Available:
Monday-Friday, 8am-4pm, PST.

Apollo Sprayers International, Inc.
1030 Joshua Way
Vista, CA 92081

Voice: 760-727-8300
Toll Free: 888-900-4857
Fax: 760-727-9325
Email: apollo@hvlp.com


Warranty for T6000 Mist Applicator

Six Month Limited Warranty

This machine and Equipment is WARRANTED by **APOLLO SPRAYERS INTERNATIONAL INC.** for a total period of SIX MONTHS from the ORIGINAL date of purchase by the ORIGINAL PURCHASER. Proof of purchase to be included and all SHIPPING CHARGES to be pre-paid.

APOLLO SPRAYERS INTERNATIONAL, INC. upon examination of the machine/equipment will **replace or repair** at their discretion any defects in material or workmanship.

This WARRANTY does NOT include: miss-use, damage, neglect, alterations, disassembled equipment or modifications, lack of maintenance, cleaning, water damage to electrical parts and INCORRECT VOLTAGE CONNECTION. This WARRANTY is in lieu of all other express warranties, any WARRANTY implied by law, including but not limited to implied warranties of merchantability or fitness, is excluded to the maximum extent permitted by law and, if not excludable, it is limited to the duration of the express Warranty. No representative or person is authorized to extend this Warranty or to create for **APOLLO SPRAYERS INTERNATIONAL, INC.** any other liability in connection with the sale of any **APOLLO SPRAYERS product**. **APOLLO SPRAYERS INTERNATIONAL, INC.** shall not be liable for any consequential, incidental, or special damages of any kind directly or indirectly resulting from breach of any express or implied Warranty. Some States do allow the exclusion of limitation of incidental or consequential damages or limitations on the length of any Warranty so that the above limitations and exclusions may not apply to you; however, to the maximum extent permitted under applicable law, the only rights and remedies shall be to obtain a replacement for any defective product. This Warranty gives you specific legal rights and you may also have other rights which vary from state to state and country to country.

 **WARNING:** This product can expose you to chemicals including Chromium, which is known to the State of California to cause cancer and birth defects or other reproductive harm. For more information go to www.P65Warnings.ca.gov.