



APOLLO

Whisper-Mist®



INSTRUCTION MANUAL

(For Professional Use Only)

DO NOT USE EQUIPMENT BEFORE READING THIS MANUAL

This manual contains important warnings and instructions.
Please read these instructions carefully and keep for your reference.

©2004 Apollo Sprayers International, Inc.

WARNING

DO NOT USE EQUIPMENT BEFORE READING THIS SECTION

A fire or explosion hazard is present when spraying flammable materials. In order to assure safe operation of your spray system, please read the following instructions carefully.

- Always follow coating or solvent manufacturer's safety instructions and warnings.
- Always spray in a well ventilated area.
- Always keep the turbine system at the maximum length of hose.
- Always wear eye protection and a respirator.
- Always store indoors, never allow unit to freeze.
- Always use original manufacturers replacement parts
- Never spray flammable materials near open flames, pilot lights or any other source of ignition.
- Never alter or modify any part of this equipment; doing so can cause equipment malfunction and/or bodily injury.
- Never attempt to clean any part of the turbine system while it is plugged in.
- CAUTION: TO REDUCE THE RISK OF ELECTRIC SHOCK, DO NOT EXPOSE TO WATER.
- Never leave spray equipment unattended. Keep away from children or any person not familiar with spray equipment.

GROUNDING INSTRUCTIONS

This product should be grounded. In the event of an electrical short circuit, grounding reduces the risk of electrical shock by providing an escape wire for the electric current. This product is equipped with a cord that has a grounding wire and appropriate grounding plug. The plug must be plugged into an outlet that is properly installed and grounded in accordance with all local codes and ordinances. Do not operate unit with a damaged cord or plug. Do not pull or carry unit by the cord. Keep away from heated surfaces. Do not unplug by pulling on the cord.

DANGER

Improper installation of the grounding plug can result in the risk of electric shock. Check with a qualified electrician or serviceman if in doubt as to whether the product is properly grounded. Do not modify the plug provided. If it will not fit the outlet, have the proper outlet installed by a qualified electrician. This product is for use on a nominal 120 volt circuit and has a grounding plug similar to the one illustrated. Make sure that the turbine is Connected to an outlet with the same configuration as the plug. **DO NOT USE ANY ADAPTERS WITH THIS PRODUCT.**

USING EXTENSION CORDS

Use only a three wire extension cord with a 3-slot receptacle similar to the plug on the turbine. Make sure your extension cord is in good condition. When using an extension cord, be sure to select one that will carry a heavy enough current for the turbine system used. An undersized cord will cause a drop in the line voltage resulting in loss of power and overheating. If in doubt use the next heavier gauge. The smaller the gauge number, the heavier the wire thickness. Please use the chart below as a guide to selecting the proper size extension cord.

For length less than:	Use extension gauge:
25ft	16AWG
50ft	14AWG
100ft	12AWG
150ft	10AWG

FIRE OR EXPLOSION HAZARD FLUID

SECTION - SOLVENTS

Halogenated Hydrocarbon solvents can cause an explosion when used with aluminum or galvanized components in a closed (pressurizable) fluid system (pumps, heater, filters, valves, spray guns, tanks, etc.). The explosion could cause serious injury, death and/or substantial property damage. Cleaning agents, coatings, paints, etc. may contain Halogenated hydrocarbon solvents. The manufacturer of this equipment uses aluminum components that will be affected by Halogenated Hydrocarbon solvents. **DO NOT USE HALOGENATED HYDROCARBONS WITH THIS EQUIPMENT.**

EXPLANATION OF THE HAZARD

There are three key elements to the Halogenated Hydrocarbon (HHC) solvent hazard. These elements are:

1. The presence of HHC
2. Aluminum or galvanized parts
3. Equipment capable of withstanding pressure

When all three elements are present, the result can be an extremely violent explosion. The reaction can be sustained with very little aluminum or galvanized metal; any amount of aluminum is too much. The reaction is unpredictable. Prior use of an HHC solvent without incident (corrosion or explosion) does NOT mean that such use is safe.

HALOGENATED SOLVENTS – definition: Any hydrocarbon solvent containing any of the elements as listed below: Consult your material supplier to determine whether your solvent or coating contains Halogenated Hydrocarbon Solvents.

Fluorine (F) “-fluor-”
 Bromine (Br) “-bromo-”
 Examples (not all-inclusive):
 FLUOROCARBON
 SOLVENTS:
 Dichlorofluoromethane
 Trichlorofluoromethane
 CHLORINATED SOLVENTS:

Carbon tetrachloride
 Chloroform
 Ethylene Dichloride
 BROMINATED SOLVENTS:
 Ethylene Dibromide
 Methylene chlorobromide
 Methyl bromine
 TRICHLOROETHANE:

Trichloroethylene
 Monochlorotoluene
 Chlorine (CL) “-chloro-”
 Iodine (I) “-iodo-”
 METHYLENE CHLORIDE OR
 DICHLOROMOETHANE
 Monochlorobenzene
 Orthodichlorobenzene

Porchloroethylene
 IODINATED SOLVENTS:
 N-butyl iodide
 Methyl Iodide
 Ethyl Iodide
 Propyl iodide

Your Tc³ WHISPER-MIST™ TANNING SYSTEM Package

CONGRATULATIONS!! You have just purchased the finest tanning application system available. You are about to enjoy the great benefits of Whisper-Mist™ spraying. Our designs are the result of many years experience in manufacturing turbo systems, and turbo Mist Applicators.

Whether you are new to spraying, you have sprayed before, or are just new to spray on tanning; there are some basic guide lines that will help you to achieve the best results and optimum success from your new equipment. Reading this information carefully and following these simple steps will ensure that you get the best performance and results from your new Tc3 Whisper-Mist™ Tanning System.

INSTRUCTIONS

Check the contents of your box. The following are included:

- | | |
|-----------------------------------|--------------------|
| Tc ³ Tanning unit | Mist Applicator |
| Air hose | Instruction Manual |
| 3 Pack Cups with Lids | Spare Parts Kit |
| 4 Wheels (installation necessary) | |

HOW YOU'RE Tc³ TANNING SYSTEM WORKS

Your Tc³ Tanning System has three components: the workstation, an air hose and a Mist Applicator (spray gun). The Tc³ unit when connected to the correct electrical power supply and with the **on/off** switch in the “**on**” position provides a continuous source of clean, warm, dry, low pressure turbo air. The air hose connects the workstation to the Mist Applicator. Air flows through the hose to the nozzle of the specially designed Mist Applicator sprayer. Atomization of the tanning solution is achieved when the air mixes with the stream of fluid passing through the tip/nozzle. This low pressure atomization principle achieves minimum misting (overspray) to the spray environment. The turbo blower has one air hose outlet on the side of the Tc³ unit and is designed to run one Mist Applicator.

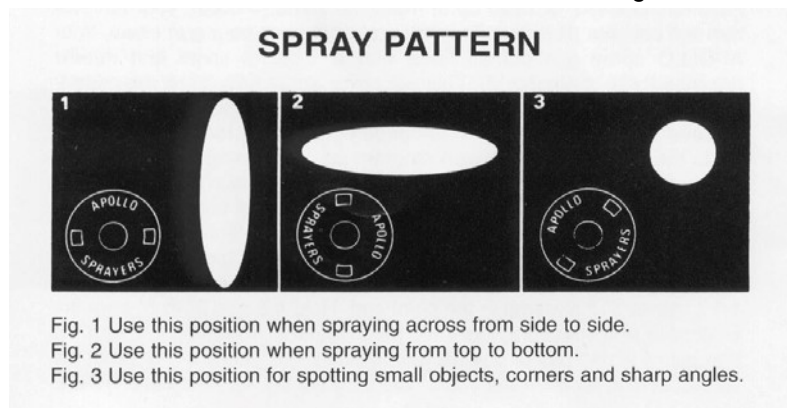


Fig. 1 Use this position when spraying across from side to side.
 Fig. 2 Use this position when spraying from top to bottom.
 Fig. 3 Use this position for spotting small objects, corners and sharp angles.

Your Mist Applicator offers you many options. You can adjust (click) the air cap (#2) to three positions. One will produce a horizontal pattern for spraying across, another will produce a vertical pattern for spraying up and down, and the third will produce a round pattern.

PREPARING TO USE YOUR Tc³ TANNING SYSTEM

Connect the air hose to the Tc³. Pull back the spring loaded quick connect coupler and insert the male connector on the air hose into the turbine connector. Release the ring. Your air hose will be locked into place. To disconnect, pull back on the connector to release the air hose. CAUTION: If you have just finished spraying, the metal coupler at the turbine end may be hot.

Plug the electric cord into a correctly grounded electrical outlet. Be sure the electric current is the correct voltage. If you need to use an extension cord, be sure it is at least 12 gauge wires and has a correctly grounded outlet.

Select a safe, well ventilated area where you will spray your client. Locate your Tc³ unit away from the area where you will be directly spraying. Do not cover or enclose the turbine. It is important to draw cool/ambient air through the unit for optimum performance. Avoid placing the Tc³ in a warm environment or in direct sunlight.

FAMILIARIZING YOURSELF WITH YOUR Tc³ MIST APPLICATOR (SPRAY GUN)

Familiarize yourself with the controls on the Mist Applicator. There are three principal controls. The rotating air cap (#2), the material flow screw (#18) and the air cap locking ring (#1). Click the rotating air cap into each position. Horizontal, Vertical and 45°. When the air cap is in the 45° position the pattern is round. This is useful for spraying small, narrow areas. (Flow will increase when using the diagonal position and it is usually necessary to reduce the flow by adjusting the flow screw (#18). (See Diagram Spray Patterns, Pg. 3). Next, turn the material flow screw (#18) anti- or counter-clockwise to open or release more fluid, clockwise to reduce or close material flow. You will also notice a "scribe" on the flow screw (#18), this is to give you a visual reference, when the flow screw (#18) is in the closed position the scribe will be at 12:00 o'clock.

PREPARING TO MIST (SPRAY)

You should now be ready to mist your client. Good quality results with your Tc³ equipment are a combination of careful preparation of your client, a proper misting environment, a basic knowledge of the solution you will be using and how these solutions work with your TC³ equipment.

USING YOUR MIST APPLICATOR

Your Tc³ Mist Applicator is certified. This means your Mist Applicator only uses about 3psi or less... All passages and air ports are much larger than a conventional Mist Applicator. If one of these air passages becomes blocked, or build up of material starts to occur, your spray pattern will become distorted, therefore, always keep your Mist Applicator clean. Your Mist Applicator comes with a special Tip, Nozzel & Needle assembly that will effectively apply tanning solutions and ONLY Tanning Solution. Using this size Tip, Nozzle & Needle you can achieve a 1/4" line up to a 10" fan pattern, simply by rotating the air cap (#2) to the desired pattern type (See Diagram Page 3), opening the solution flow screw (#18) counter-clockwise or moving the mist applicator closer or further away from your client, though this is not a recommended practice. A little practice will enable you to master this technique within your first few applications.

USING YOUR MIST APPLICATOR FOR THE FIRST TIME

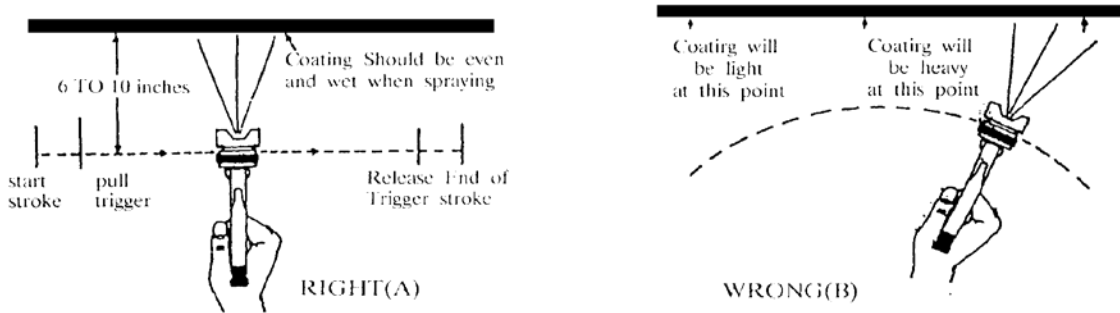
The "4 and 4 Rule"

After you have installed the TC3 wheels onto the bottom of the unit, attached the air hose to the TC3 and the mist applicator to the air hose you are ready to begin your first spray session. By following these simple steps you will be enjoying your new TC3 Tanning System in a matter of minutes.

1. Have a towel hanging or attached to a wall.
2. Fill your Solution cup about ¾ full of solution.
3. For this procedure, adjust your air cap (#2) to the vertical position. When the "nipples" are in the 12:00 and 6:00 o'clock position this will require you to spray with a vertical method or "Up and Down", when the nipples are in the 9:00 and 3:00 position this will require a horizontal method or a "Left to Right".
4. Turn the solution flow knob (#18) to 6:00 o'clock.
5. Turn on your TC3 Tanning Center

6. Aim your Mist Applicator (Spray Gun) at the towel. Hold the Mist Applicator approximately 4" (inch's) away from the towel. Pull the trigger, as you do solution will begin to flow out the air cap. Move the Mist Applicator starting at the top of the towel down with a quick swipe. Your goal is to accomplish a 4" (inch) wide spray width applying 4" (inch's) away from your subject. If the width looks to be too wide, close the material flow screw counter clockwise just a little, if the width looks to be not wide enough, open clockwise the material flow screw, also just a little.
7. By adjusting your Mist Applicator correctly, and applying from the proper distance, you will achieve very little overspray and flawless results.
8. There is no "one method" that is correct in your application method. Everyone develops there own technique, and in a short time you will develop your own as well.

PROPER MISTING TECHNIQUE



Tc³ MAINTENANCE

The Tc³ Turbo unit needs virtually no maintenance. The motor has sealed bearings that are pre-lubricated. No service is necessary, so never attempt to open the workstation as this will void the warranty. All servicing should be performed by an authorized service representative. Periodically, the Tc³ fan filter should be examined. Clean filters are critical to good performance and equipment longevity. Your Tc³ has one filter to be replaced. Periodically wash and blow excess dust and dirt from the filter. Dirty filters will reduce the air being drawn through the motor, causing the unit to run abnormally hot, diminish spray performance and reduce the life of the motor. Clean and/or replace. Use the maintenance record sheet to keep track of your equipment use.

Changing the single inlet filter for your Tc³ is very easy to do following these simple instructions:

1. Place your finger tips around the edge of the plastic outer fan guard located in the lower corner of the back panel on the workstation (same side as the switch and cord). Gently pull the plastic guard apart from the workstation.
2. Once the fans outer guard has been removed the filter element should fall out. Take the element to the sink and rinse with warm water until the water comes through clear.
3. Dry the filter element with some paper towel or a dry cloth.
4. Insert the filter element into the outer fan guard and push back onto the inner fan guard. Make sure that the filter is flat and not curled up and the edges.



TROUBLESHOOTING

1. Solution cup full, turbo air is supplied to the Mist Applicator. Trigger is pulled and no solution comes out—Reason: Cup not pressurizing.
 Check:
 - a) Cup is screwed on tight
 - b) Cup top gasket is not damaged.

2. When Mist Applicator is connected to the Tc³ and the Tc³ is on, air continually flows through the front of the Mist Applicator even if the trigger is not pulled. Response: This is correct, “bleeder” type Applicators are necessary and desirable to ensure longevity of the turbine motor.
3. If you think that you are getting too much “overspray” or fog in the misting area
Try: Moving the Mist Applicator closer to the work and/or closing down the solution flow ¼ turn clockwise or more

Recommended Maintenance: Clean and/or change fan filter every 50 hours or when necessary. See Pg 5 for appropriate filter replacement for your model.

Mist Applicator Recommended Maintenance: Check: Cup gasket, nozzle gasket, gland seal, air cap holes, nozzle/needle assembly every 50 hours or when necessary. Clean or replace parts as needed.

RECORD OF Tc³ AND MIST APPLICATOR MAINTENANCE	
DATE	MAINTENANCE PERFORMED

MIST APPLICATOR MAINTENANCE AND CLEANING

1. You do not need to clean your Mist Applicator every time you stop spraying. Place your Mist Applicator in the cup holder on the top of the Tc³. You should, however, clean your Mist Applicator at the end of a work session or at the end of the day. It is not a good idea to leave tanning solution in the Mist Applicator over night. Also, pay careful attention in keeping the cup threads clean, this includes the threads on the main applicator body as well. Dried solution on the threads can cause the cup to lock onto the surface making removal difficult.
2. When you have finished misting, pour the remainder of your solution out of the cup. Pour in a small amount cleaning fluid (water). Shake the mist applicator gently. Wait approximately one minute and then spray the solution through the applicator until the cup is empty.
3. If necessary, remove the Fluid tip (7) and nozzle washer (17). A wrench has been provided. Be careful not to loose or misplace the nozzle washer. Rinse with appropriate cleaner.
4. To remove the fluid needle assembly, turn the fluid adjusting screw (4) all the way counter (anti) clockwise until it comes out of the spray gun. Carefully remove the spring (3). Pull the needle assembly back towards you out of the spray gun. Wipe or rinse clean.
5. Wipe all exposed areas clean again giving special attention to the cup threads.
6. Although they might not need attention every time you spray, you should be aware of two additional important parts on your spray gun. One is the cup gasket (11) and the other is the fluid Needle Packing (13). The cup gasket insures that the cup is properly sealed to the applicator body, the cup is properly pressurized and no fluid leaks from the applicator cup. Replace if necessary. The fluid needle packing (13) compresses around the fluid

needle assembly to prevent fluid from leaking around the needle. This is adjusted by tightening (or loosening) the needle packing screw (14). Be sure that this screw is not too tight as to not permit free movement of the needle assembly. Be sure that this screw is not too loose as to permit fluid to leak around the needle. Normally, this is preset at the factory and should need no adjustment. Replace fluid needle packing (13) when it becomes impossible to prevent leaking.

7. Store your Mist Applicator for the next use.

MODEL T 5020 (Air Brush Cup)

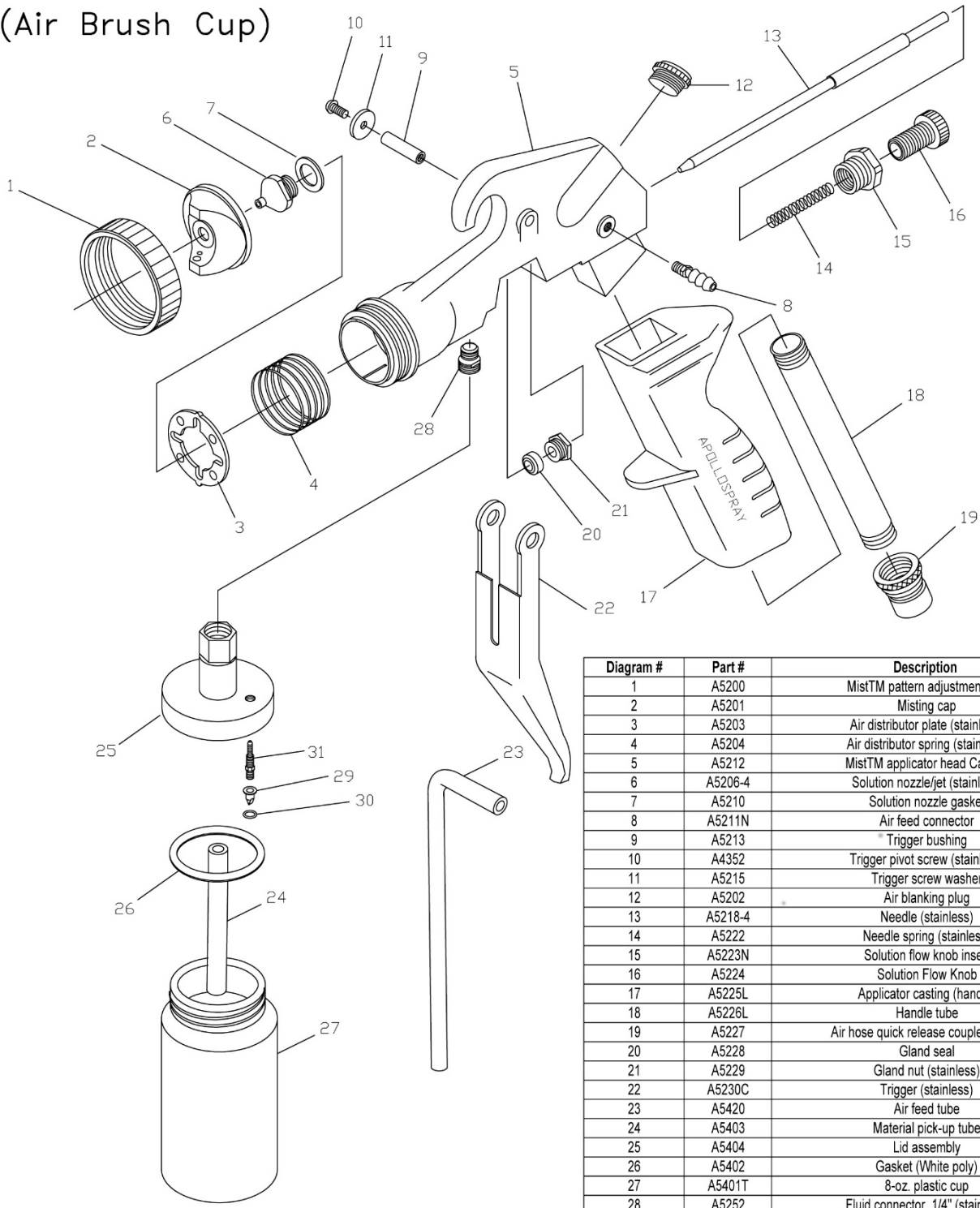


Diagram #	Part #	Description
1	A5200	Mist™ pattern adjustment ring
2	A5201	Misting cap
3	A5203	Air distributor plate (stainless)
4	A5204	Air distributor spring (stainless)
5	A5212	Mist™ applicator head Casting
6	A5206-4	Solution nozzle/jet (stainless)
7	A5210	Solution nozzle gasket
8	A5211N	Air feed connector
9	A5213	Trigger bushing
10	A4352	Trigger pivot screw (stainless)
11	A5215	Trigger screw washer
12	A5202	Air blanking plug
13	A5218-4	Needle (stainless)
14	A5222	Needle spring (stainless)
15	A5223N	Solution flow knob insert
16	A5224	Solution Flow Knob
17	A5225L	Applicator casting (handle)
18	A5226L	Handle tube
19	A5227	Air hose quick release coupler (male)
20	A5228	Gland seal
21	A5229	Gland nut (stainless)
22	A5230C	Trigger (stainless)
23	A5420	Air feed tube
24	A5403	Material pick-up tube
25	A5404	Lid assembly
26	A5402	Gasket (White poly)
27	A5401T	8-oz. plastic cup
28	A5252	Fluid connector, 1/4" (stainless)
29	A5321	Duckbill check valve
30	A5322	Duckbill o-ring
31	A5323	Air stem for duckbill check valve
	A5400	Storage lid
	A5405T	Pack of (3) 8oz cups

For all other technical questions please call your local distributor or Apollo Sprayers Inc. for technical support.

USA Technical Support: Available Monday-Friday, 8am-4pm, PST.
Apollo Sprayers International, Inc.
1030 Joshua Way
Vista, CA 92081
Voice: 760-727-8300
Toll Free: 888-900-4857
Fax: 760-727-9325
Email: Apollo@hvlp.com

Apollo Sprayers International, Inc. ***Two Year Limited Warranty***

Your Whisper-Mist Tc³ tanning system is **WARRANTED** by **APOLLO SPRAYERS INTERNATIONAL, INC.** for a total period of **TWO YEARS** on a **PRO-RATED** Basis (see schedule below) from the **ORIGINAL** date of purchase by the **ORIGINAL PURCHASER**. Proof of purchase to be included and all **SHIPPING CHARGES** to be pre-paid.

APOLLO SPRAYERS INTERNATIONAL, INC. upon examination of the machine/equipment will **replace or repair** at their discretion any defects in material or workmanship.


WARRANTY SCHEDULE

First Year.....Parts NO CHARGE.....Labor NO CHARGE
Second YearParts NO CHARGE.....Labor CHARGED

Labor will be CHARGED at the current hourly rate of \$65, or specified Job Rate.

This **WARRANTY** does NOT include: miss-use, damage, neglect, alterations, disassembled equipment or modifications, lack of maintenance, cleaning, water damage to electrical parts and **INCORRECT VOLTAGE CONNECTION**. This **WARRANTY** is in lieu of all other express warranties, any **WARRANTY** implied by law, including but not limited to implied warranties of merchantability or fitness, is excluded to the maximum extent permitted by law and, if not excludable, it is limited to the duration of the express **Warranty**. No representative or person is authorized to extend this **Warranty** or to create for **APOLLO SPRAYERS INTERNATIONAL, INC.** any other liability in connection with the sale of any **APOLLO SPRAYERS product**. **APOLLO SPRAYERS INTERNATIONAL, INC.** shall not be liable for any consequential, incidental, or special damages of any kind directly or indirectly resulting from breach of any express or implied **Warranty**. Some States do allow the exclusion of limitation of incidental or consequential damages or limitations on the length of any **Warranty** so that the above limitations and exclusions may not apply to you; however, to the maximum extent permitted under applicable law, the only rights and remedies shall be to obtain a replacement for any defective product. This **Warranty** gives you specific legal rights and you may also have other rights which vary from State to State.

For warranty repairs inside the United States please call 888-900-4857 or outside the United States call, 760-727-8300. All repairs must be accompanied by an RMA number from the factory. Please call first before sending any equipment back to the factory for repair.

 **WARNING:** This product can expose you to chemicals including Chromium, which is known to the State of California to cause cancer and birth defects or other reproductive harm. For more information go to www.P65Warnings.ca.gov.